

## Specification

### DESIGN

The valve body has a split structure, according to 3A, DIN 11850.1, ISO, SMS standard design, material meets FDA117.2600

### OPERATION

90 ° rotation of the handle

### CONNECTION

Weld, Clamp, Thread

### SURFACE TREATMENT

Ra ≤ 0.8um; MP=Ra ≤ 0.3um  
EP=Ra ≤ 0.3um

### PRESSURE RANGE

PN10

The above information is for reference only and Aisenberg reserves the right to alter without prior notice

### TEMPERATURE RANGE

PTFE: -30°C - +120°C  
TFM1600: -30°C - +150°C  
M111: -30°C - +180°C

### MATERIALS

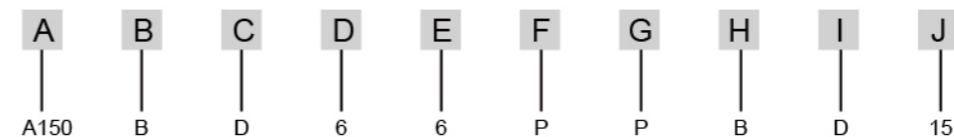
Body: CF8  
CF8M  
Ball: 304, 304L, 316, 316L  
Seat: PTFE, TFM1600  
Seat type: All-inclusive seat, Half pack seat  
Packing: PTFE  
Shaft: Stainless steel  
Handle: SS



Type:  
A150  
Manual Sanitary Ball Valve  
PN10/PN16

CF8  
CF8M

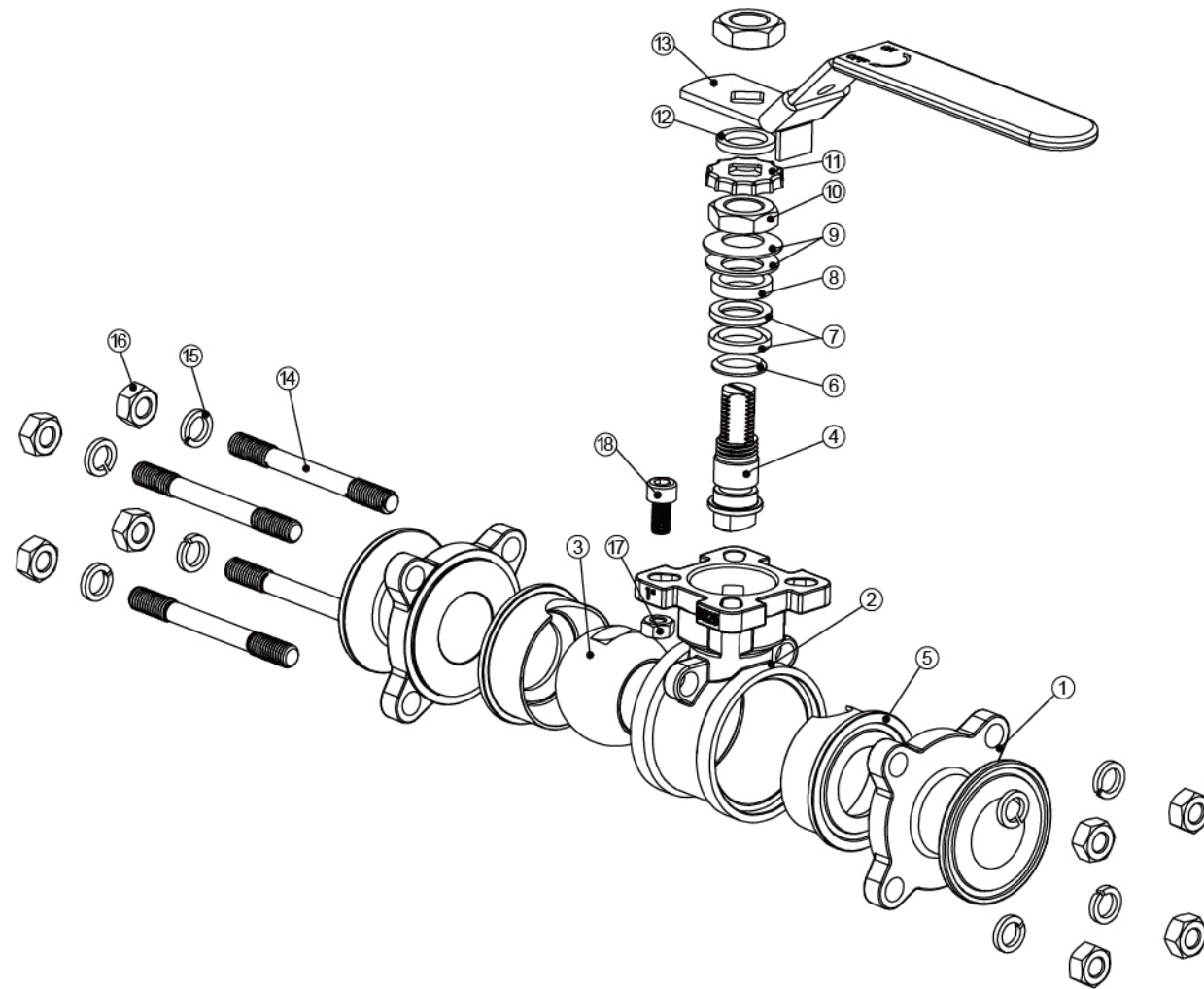
## Model code



A. Product	B. Control	C. Type of actuator	D. Body
A150=3PC Sanitary Ball Valve	A=Manual B=Pneumatic Piston Actuator P=Basic Electric Actuator 0=NONE	L=Lever W=Handwheel U=ISO5211 Lever D=Double Acting S=Single Acting FC P=Single Acting FO E=220VAC Electric Actuator(ON/OFF) F=24VDC Electric Actuator(ON/OFF) M=380VAC Electric Actuator(ON/OFF) G=220VAC Electric Actuator(Control) H=24VDC Electric Actuator(Control) J=380VAC Electric Actuator(Control) K=220VAC Explosion Proof Electric Actuator(ON/OFF) N=24VDC Explosion Proof Electric Actuator(ON/OFF) Q=380VAC Explosion Proof Electric Actuator(ON/OFF) R=220VAC Explosion Proof Electric Actuator(Control) T=24VDC Explosion Proof Electric Actuator(Control) V=380VAC Explosion Proof Electric Actuator(Control) 0=NONE	4=CF8 6=CF8M

E. Trim	F. Seal	G. Packing	H. Pressure	I. Connection	J. Valve size
4=304SS 6=316SS 8=316L	T=TFM P=PTFE	P=PTFE	A=PN10 B=PN16	H=CLAMP B=BUTT WELD G=G THREAD N=NPT THREAD	13=1/2"(DN15) 14=3/4" (DN20) 15=1" (DN25) 16=1 1/4"(DN32) 17=1 1/2"(DN40) 18=2" (DN50) 19=2-1/2"(DN65) 20=4" (DN100)

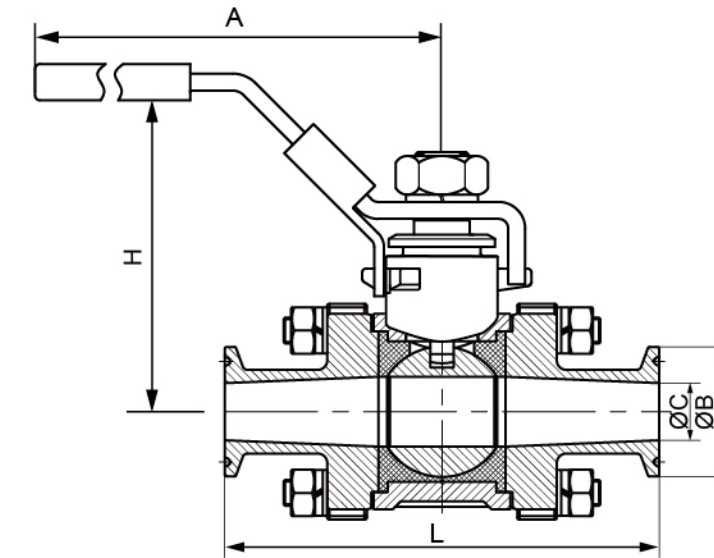
Parts list



No.	Description	Material
1	Cap	CF8, CF8M
2	Body	CF8, CF8M
3	Ball	304L, 316L, 304SS, 316SS
4	Stem	304L, 316L
5	Body Seal	PTFE, TFM1600
6	Washer Gasket	PTFE, TFM1600
7	V-seal Components	PTFE, TFM1600
8	Gasket	304
9	Spring Gasket	304
10	Nut	304
11	Stopper Ring	304
12	Gasket	PTFE, TFM1600
13	Handle	304
14	Bolt	304
15	Spring Washer	304
16	Nut	304
17	Nut	304
18	Bolt	304

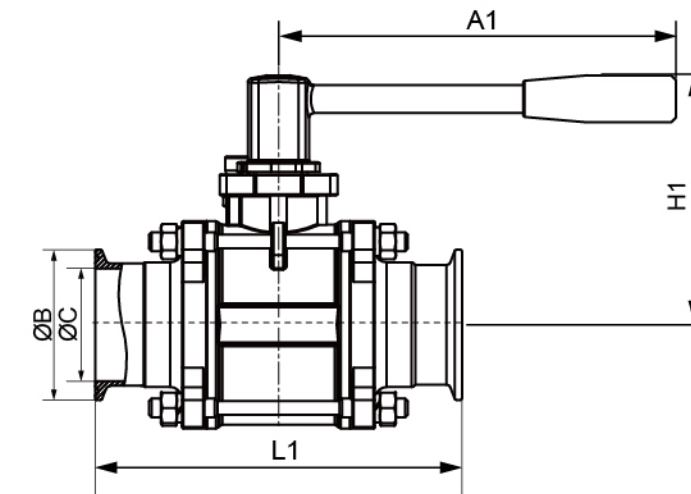
Dimension

Normal temperature



SIZE	DN	A	ISO/SMS		BPE/3A		DIN		L	H
			ØC	ØB	ØC	ØB	ØC	ØB		
1/2"	15	130	9.7	25.2	9.4	25.2	15	34	103.5	71
3/4"	20	130	16	25.2	15.75	25.2	19	50.5	103.5	73
1"	25	165	22.4	50.5	22.1	50.5	25	50.5	110	91.6
1 1/4"	32	165	28.8	50.5	28.5	50.5	31	50.5	120	96.6
1 1/2"	40	190	35.1	50.5	34.8	50.5	37	50.5	129	104
2"	50	190	47.8	64	47.5	64	49	64	145	110

High temperature



SIZE	DN	A1	ISO/SMS		BPE/3A		DIN		L1	H1
			ØC	ØB	ØC	ØB	ØC	ØB		
3/4"	20	125	16.1	25.4	15.75	25.4	19	25.4	89	84
1"	25	125	22.4	50.5	22.1	50.5	25	50.5	114	86
1 1/4"	32	125	28.8	50.5	28.5	50.5	31	50.5	117	91
1 1/2"	40	168	35.1	50.5	34.8	50.5	37	50.5	142	98
2"	50	168	47.8	64	47.5	64	49	64	156	106

## Specification

### DESIGN

The valve body has a split structure, according to 3A, DIN 11850.1, ISO, SMS standard design, material meets FDA117.2600

### OPERATION

90 ° rotation of the handle

### CONNECTION

Weld, Clamp, Thread

### SURFACE TREATMENT

Ra ≤ 0.8 μm; MP = Ra ≤ 0.3 μm; EP = Ra ≤ 0.3 μm.

### PRESSURE RANGE

PN10

### TEMPERATURE RANGE

PTFE: -30°C - +120°C

TFM1600: -30°C - +150°C

M111: -30°C - +180°C

### MATERIALS

Body: CF8  
CF8M

Ball: 304, 304L, 316, 316L

Seat: PTFE, TFM1600

Stem seal: PTFE

Seat type: All-inclusive seat, Half pack seat

Shaft: Stainless steel

Handle: SS

### OPTIONS

Electrical position indicator

Lengthened handle

Handwheel device

The above information is for reference only and Aisenberg reserves the right to alter without prior notice



Type:  
A150  
ISO5211 Sanitary  
Ball Valve

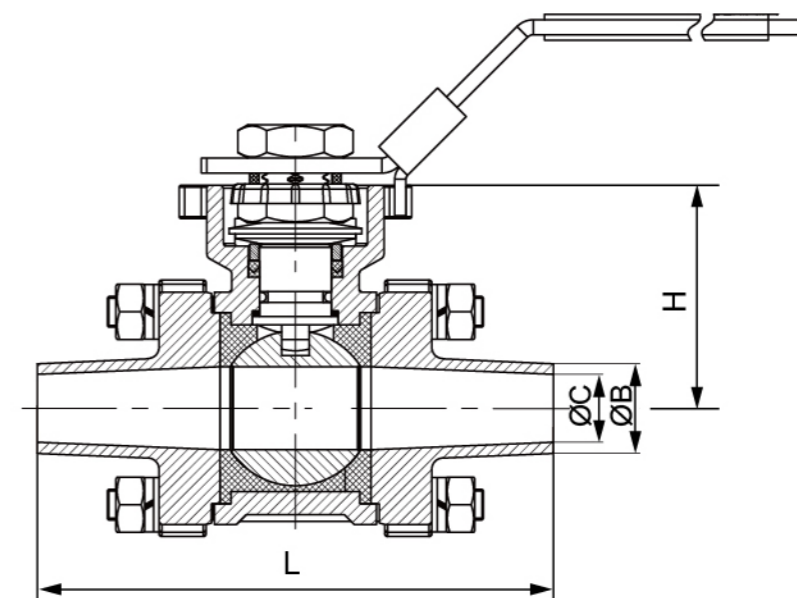
PN10

CF8  
CF8M

## Dimension

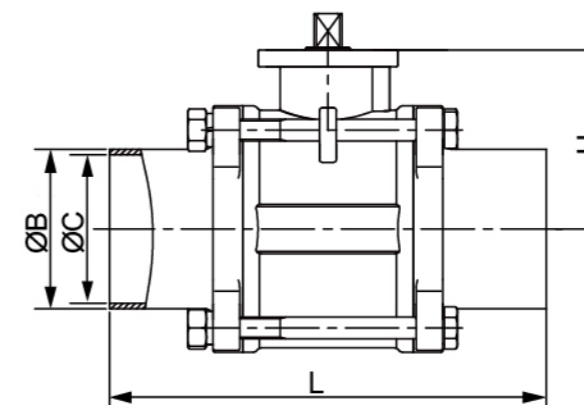
### Weld

Normal temperature



SIZE	DN	SMS		ASME/3A		DIN		L	H
		ØC	ØB	ØC	ØB	ØC	ØB		
3/4"	20	16.1	19	16.1	19.1	19	22	103.5	42.3
1"	25	22.4	25	22.4	25.4	25	28	110	58.4
1 1/4"	32	28.8	32	28.8	31.8	31	34	120	58.4
1 1/2"	40	35.1	38	35.1	38.1	37	40	129	70.8
2"	50	47.8	51	47.8	50.8	49	52	145	77.8

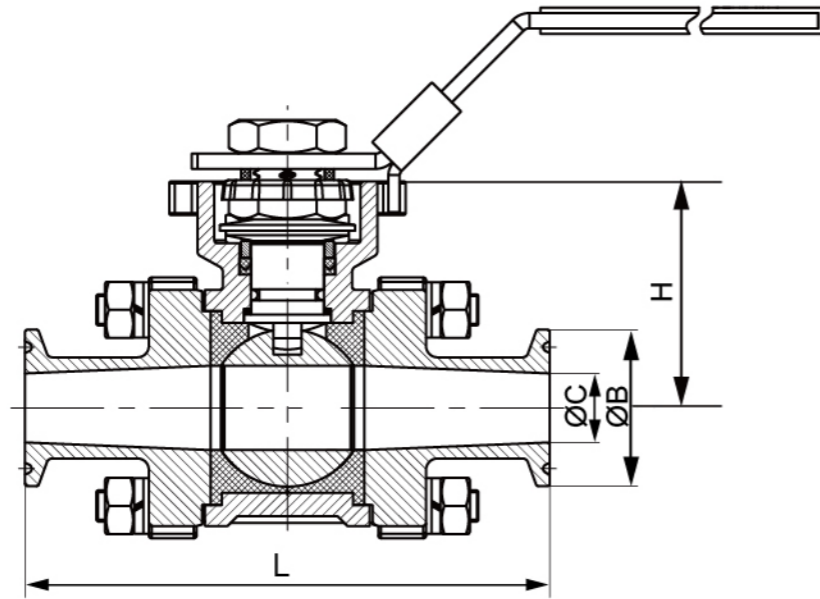
High temperature



SIZE	DN	SMS		ASME/3A		DIN		L	H
		ØC	ØB	ØC	ØB	ØC	ØB		
3/4"	20	16.1	19	16.1	19.1	19	22	89	40.5
1"	25	22.4	25	22.4	25.4	25	28	114	44
1 1/4"	32	28.8	32	28.8	31.8	31	34	117	49
1 1/2"	40	35.1	38	35.1	38.1	37	40	142	56
2"	50	47.8	51	47.8	50.8	49	52	156	64

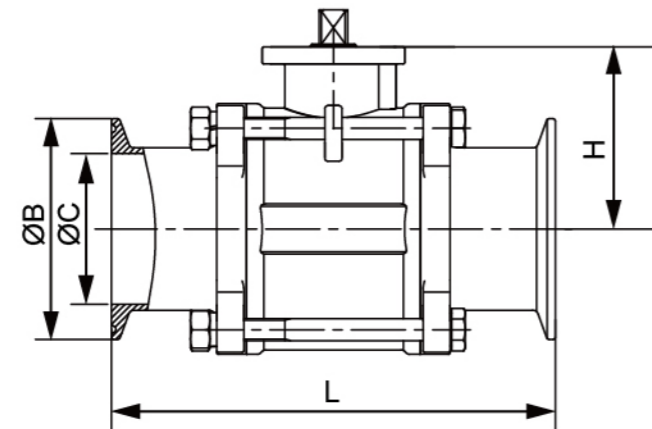
**Dimension**  
**Clamp**

Normal temperature



SIZE	DN	A	ISO/SMS		BPE/3A		DIN		L	H
			ØC	ØB	ØC	ØB	ØC	ØB		
1/2"	15	130	9.7	25.2	9.4	25.2	15	34	93	71
3/4"	20	130	16	25.2	15.75	25.2	19	50.5	103.5	73
1"	25	165	22.4	50.5	22.1	50.5	25	50.5	110	91.6
1 1/4"	32	165	28.8	50.5	28.5	50.5	31	50.5	120	96.6
1 1/2"	40	190	35.1	50.5	34.8	50.5	37	50.5	129	104
2"	50	190	47.8	64	47.5	64	49	64	145	110

High temperature



SIZE	DN	ISO/SMS		BPE/3A		DIN		L	H
		ØC	ØB	ØC	ØB	ØC	ØB		
3/4"	20	16.1	25.4	15.75	25.4	19	25.4	89	40.5
1"	25	22.4	50.5	22.1	50.5	25	50.5	114	44
1 1/4"	32	28.8	50.5	28.5	50.5	31	50.5	117	49
1 1/2"	40	35.1	50.5	34.8	50.5	37	50.5	142	56
2"	50	47.8	64	47.5	64	49	64	156	64

**A150 Series Pneumatic Sanitary Ball Valve**

**Aisenberg®**

**Specification**

**DESIGN**

The valve body has a split structure, according to 3A, DIN, ISO, SMS standard design, material meets FDA117.2600

**OPERATION**

Pneumatic double-acting or single-acting

**CONNECTION**

Weld, Clamp, Thread

**SURFACE TREATMENT**

Ra ≤ 0.8µm; MP=Ra ≤ 0.3µm; EP=Ra ≤ 0.3µm.

**PRESSURE RANGE**

PN10

**TEMPERATURE RANGE**

PTFE: -30°C - +120°C  
TFM1600: -30°C - +150°C  
M111: -30°C - +180°C

**MATERIALS**

Body: CF8  
CF8M

Ball: 304, 304L, 316, 316L

Seat: PTFE, TFM1600

Seat type: All-inclusive seat, Half pack seat

Stem seal: PTFE

Shaft: Stainless steel

**ACTUATOR**

Body: Aluminum alloy, Others on request  
Cap: Polyurethane coating

**EXTERNAL TEMPERATURE RANGE**

-20°C - +70°C

**PILOT MEDIA**

Filtered gases (oil, ash and water removal)

**OPTIONS**

3/2-ways or 5/2-ways valve, limit switch, positioner, filter reducer, manual clutch



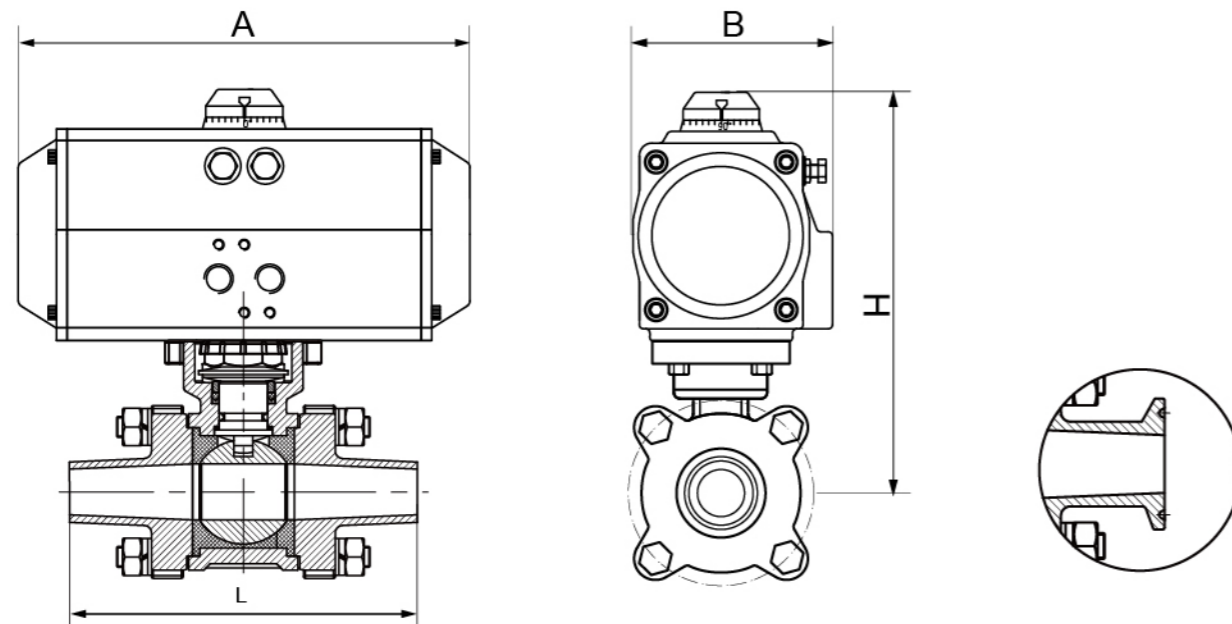
Type:  
A150

Pneumatic Sanitary  
Ball Valve  
PN10

CF8  
CF8M

## Dimension

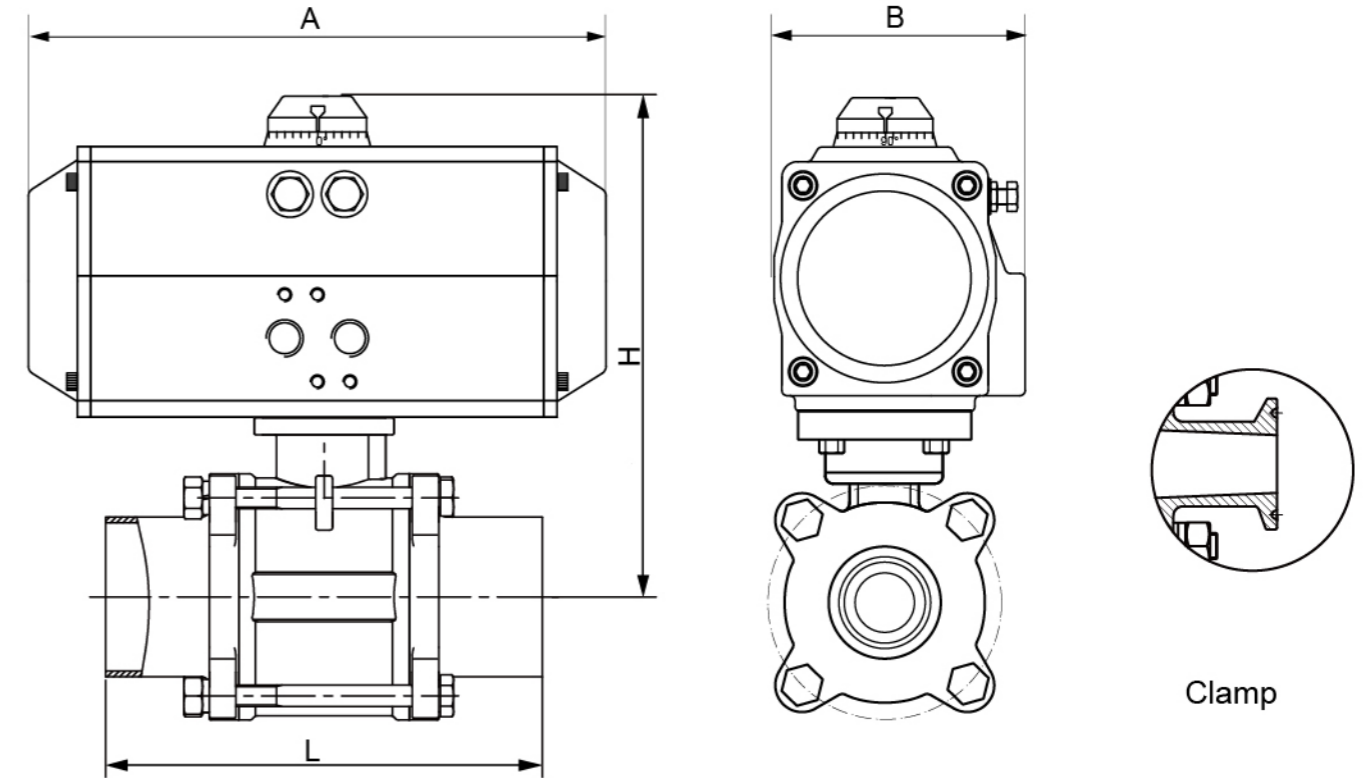
Normal temperature



Weld

Clamp

High temperature



Weld

Clamp

SIZE	DN	Actuator Model	A	B	H	L
3/4"	20	DA52	147	72	144.3	103.5
		SR52	147	72	144.3	
1"	25	DA52	147	72	155.4	110
		SR63	172	83	171.4	
1-1/4"	32	DA63	172	83	176.4	120
		SR75	184	95	188.4	
1-1/2"	40	DA63	172	83	188.8	129
		SR75	184	95	200.8	
2"	50	DA75	184	95	207.8	145
		SR83	204	103	216.8	

SIZE	DN	Actuator Model	A	B	H	L
3/4"	20	DA52	147	72	132.5	89
		SR52	147	72	132.5	
1"	25	DA52	147	72	136	114
		SR63	172	83	152	
1-1/4"	32	DA63	172	83	157	117
		SR75	184	95	179	
1-1/2"	40	DA63	172	83	164	142
		SR75	184	95	186	
2"	50	DA75	184	95	194	156
		SR83	204	103	203	

## Specification

### DESIGN

The valve body has a split structure, according to 3A, DIN, ISO, SMS standard design, material meets FDA117.2600

### OPERATION

Electric and Handle operation

### CONNECTION

Weld, Clamp, Thread

### SURFACE TREATMENT

Ra ≤ 0.8 μm; MP = Ra ≤ 0.3 μm; EP = Ra ≤ 0.3 μm.

### PRESSURE RANGE

PN10

### TEMPERATURE RANGE

PTFE: -30°C - +120°C  
TFM1600: -30°C - +150°C  
M111: -30°C - +180°C

### MATERIALS

Body: CF8  
CF8M  
Ball: 304, 304L, 316, 316L  
Seat: PTFE, TFM1600  
Seat type: All-inclusive seat, Half pack seat  
Stem seal: PTFE  
Shaft: Stainless steel

### ACTUATOR

Body: Aluminum alloy, Others on request  
Cap: Polyurethane coating

### EXTERNAL TEMPERATURE RANGE

-20°C - +60°C

### OPTIONAL VOLTAGE

24V DC, 24V AC, 110V AC, 220V AC, 380V AC

### PROTECTION

IP 67

### STANDARD EQUIPMENT

additional limit switches, optical position indicator, manual override

### OPTIONS

Dehumidification heater  
Overtorque protection  
Modulate type 4-20mA  
Exd IIB T4  
For more requests please contact us

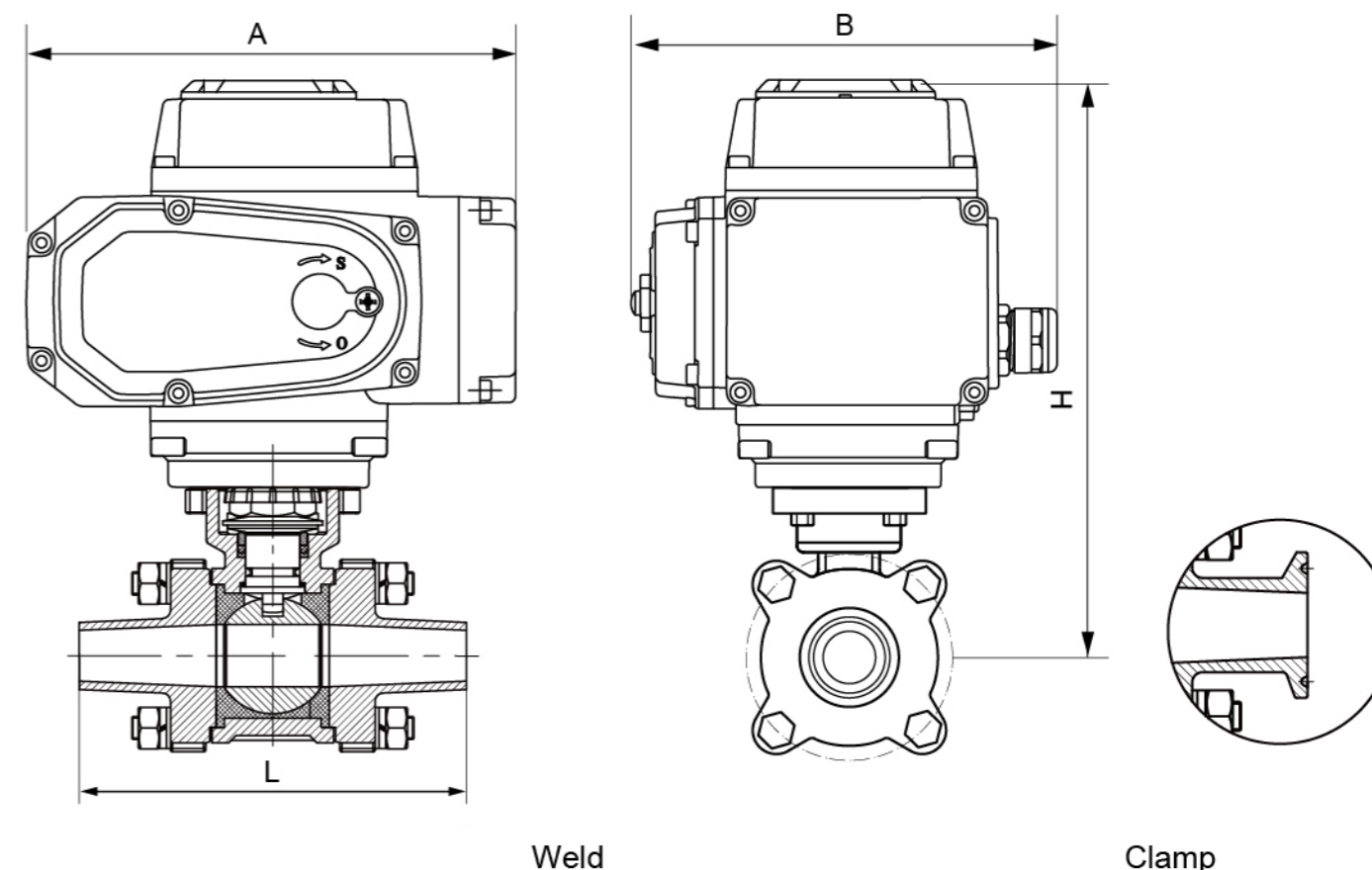
The above information is for reference only and Aisenberg reserves the right to alter without prior notice



Type:  
A150  
Electric Sanitary Ball Valve  
PN10/PN16  
  
CF8  
CF8M

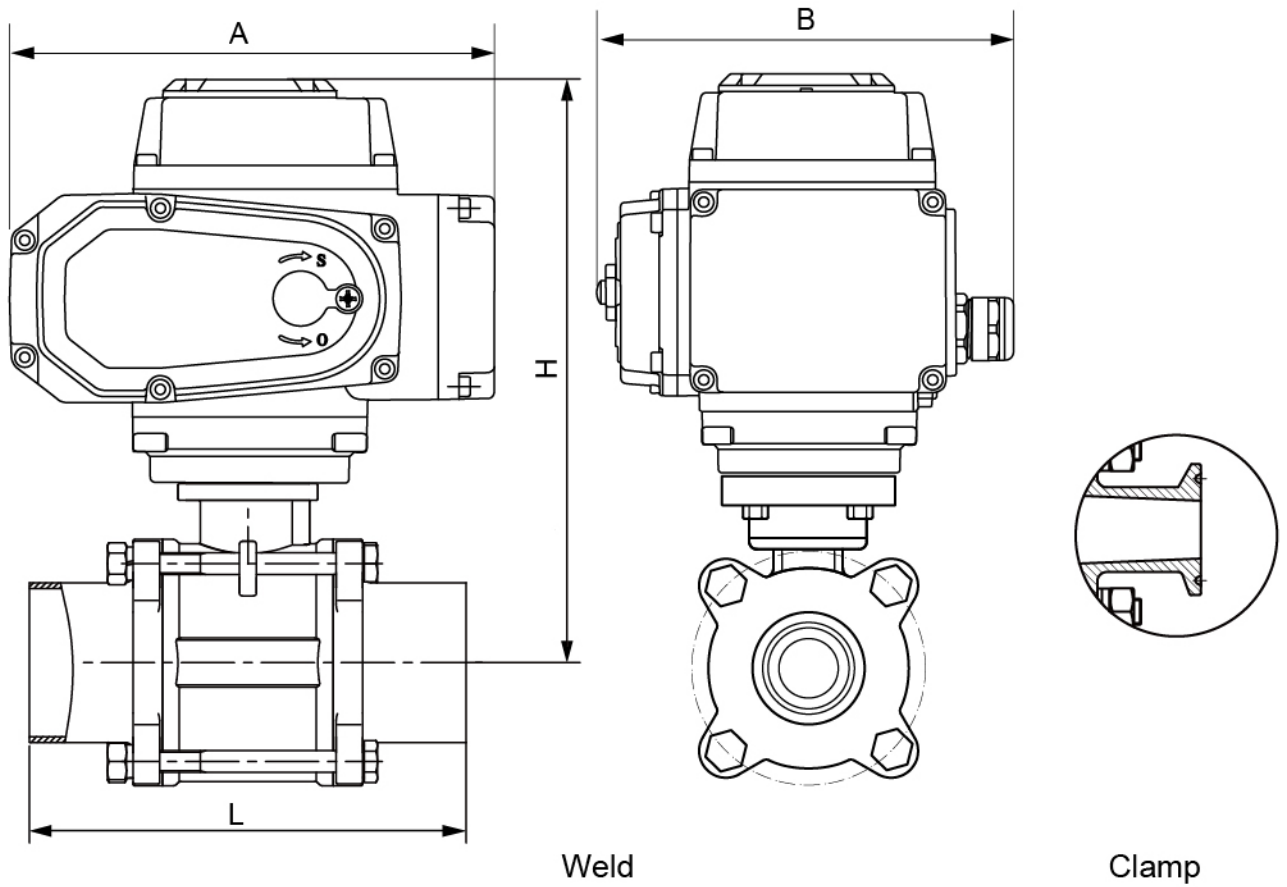
## Dimension

Normal temperature



SIZE	DN	Actuator Model	A	B	H	L
3/4"	20	HB50	165	140.5	179.8	103.5
		HBX50	170.5	120.5	192.3	
1"	25	HB50	165	140.5	190.9	110
		HBX50	170.5	120.5	203.4	
1-1/4"	32	HB50	165	140.5	195.9	120
		HBX50	170.5	120.5	208.4	
1-1/2"	40	HB50	165	140.5	208.3	129
		HBX50	170.5	120.5	220.8	
2"	50	HB50	165	140.5	215.3	146
		HBX50	170.5	120.5	227.8	

High temperature



SIZE	DN	Actuator Model	A	B	H	L
3/4"	20	HB50	165	140.5	178	89
		HBX50	170.5	120.5	190.5	
1"	25	HB50	165	140.5	181.5	114
		HBX50	170.5	120.5	194	
1-1/4"	32	HB50	165	140.5	186.5	117
		HBX50	170.5	120.5	199	
1-1/2"	40	HB50	165	140.5	193.5	142
		HBX50	170.5	120.5	206	
2"	50	HB50	165	140.5	201.5	156
		HBX50	170.5	120.5	214	