

Specification

DESIGN

ON/OFF, Control type
 Waterproof and dustproof (IP67)
 Dehumidifier heater (30W)
 Overheating protection
 (on 120°C±5°C / off 97°C±5°C)
 Mechanical limit (ON/OFF type)

MATERIALS

Housing: die-cast aluminum
 Surface protection: polyester powder coating
 Exterior bolt: stainless steel

TEMPERATURE RANGE

Standard type: -30°C~+75°C
 Low temperature type: -60°C~+50°C

CONNECTION

Actuator mounting flange: ISO 5211
 Electrical interface:
 Non-explosion-proof type: 2-M18*1.5
 (Except 30N.m)
 Explosion-proof type: 2-M20*1.5

EXPLOSION-PROOF AND PROTECTION

Explosion-proof grade: ExdIICT5
 (explosion-proof type)
 Protection level: Standard IP67, optional IP68

STANDARD FORMULATION

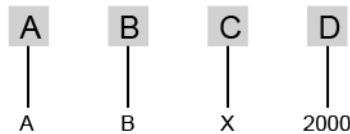
Passive contact switch (ON/OFF type)
 Stroke indicating cap
 Manual control
 Dehumidifier heater (30W)
 Overheating protection (on 120°C±5°C / off 97°C±5°C)

The above information is for reference only and
 Aisenberg reserves the right to alter without prior
 notice



Type:
 A/L/Y
 Straight stroke electric
 actuator
 2000N-30000N

Model code



A. Series	B. Voltage and Type	C. Explosion-proof requirements or otherwise	D. Torque(M)
A=Standard straight stroke L=Integent F module straight stroke Y=Integent C module straight stroke	B=Electric ON/OFF ,220VAC E=Electric Regulated,220VAC G=Electric ON/OFF ,24VDC F=Electric Regulated,24VDC H=Electric ON/OFF ,380VAC J=Electric Regulated,380VAC X=Electric Regulated,230VAC Y=Electric Regulated,240VAC C=Electric ON/OFF ,460VAC T=Special Voltage A=Electric ON/OFF ,24VAC Z=Electric Regulated,400VAC K=Electric Regulated,24VAC	Blank=Non-explosion proof X=Exd II BT4 D=Exd II CT5	2000=2000 3000=3000 5000=5000 8000=8000 10000=10000 16000=16000 20000=20000 25000=25000 30000=30000

Technical parameters of standard parts

Shell	Class of protection:IP67(selectableIP68),NEMA4 and 6		
Motor power supply	110/220VAC 1Phase,380/440VAC 3Phase, 50/60 Hz, ± 10%		
Control power supply	220VAC 1Phase, 50/60 Hz, ± 10%		
Control type	Input output 4-20mA、 1-5VDC、 0-10VDC		
Electric machine	Squirrel cage asynchronous motors		
Limit switch	2XOpen/Close,SPDT,250VAC 10A		
Auxiliary limit switch	2XOpen/Close, SPDT,250VAC 10A		
Stall protection/operating temperature	Built-in thermal protection, on 120°C±5°C / off 97°C±5°C		
Indicator	Continuous position indication		
Manual operation	Mechanical clutch mechanism		
Self-locking device	Worm gear, worm mechanism provides self-locking		
Dryer	30W (110/220VAC) anti-condensation		
Wiring hole	2×PT 3/4		
Ambient temperature	-25°C~+70°C (-30°C、 -40°C、 -60°C selectable)		
Lubricant	Aluminum base grease (EP type)		
Materials	Steel, aluminum, aluminum bronze, polycarbonate		
Ambient humidity	Max90% RH	non-condensing	
Seismic performance	X Y Z1 0g,0.2~34Hz, 30minutes		
Outer coating	Dry powder, epoxy polyester		

Main technical parameters/specifications

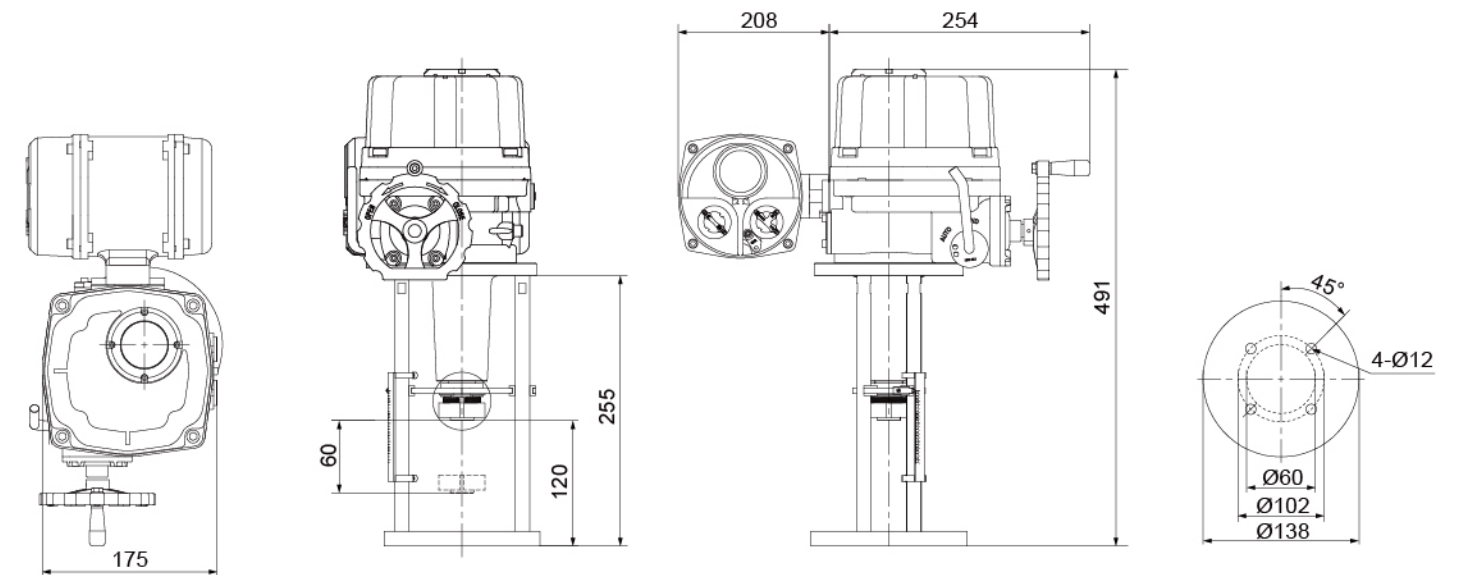
Model	Force N	Speed mm/s	Maximum stroke mm	Power dissipation W	Rated current (A)50HZ				Weight KG
					Monophase		Three phase		
					110V	220V	330V	440V	
A/L/Y	2000	0.66	60	20	0.95	0.61	0.32	N/A	18
A/L/Y	3000	0.66	60	20	0.95	0.61	0.32	N/A	18
A/L/Y	5000	0.66	60	20	0.95	0.61	0.32	N/A	18
A/L/Y	8000	0.33	60	20	0.95	0.61	0.32	N/A	18
A/L/Y	10000	1	60	40	1.67	0.81	0.32	0.31	30
A/L/Y	16000	1	60	40	1.67	0.87	0.31	0.31	32
A/L/Y	20000	1	100	90	1.86	1.29	0.35	0.34	33
A/L/Y	25000	0.50	100	90	3.62	1.95	0.59	0.58	34
A/L/Y	30000	0.50	100	90	3.62	1.95	0.59	0.59	35

Straight stroke electric actuator Optional specifications

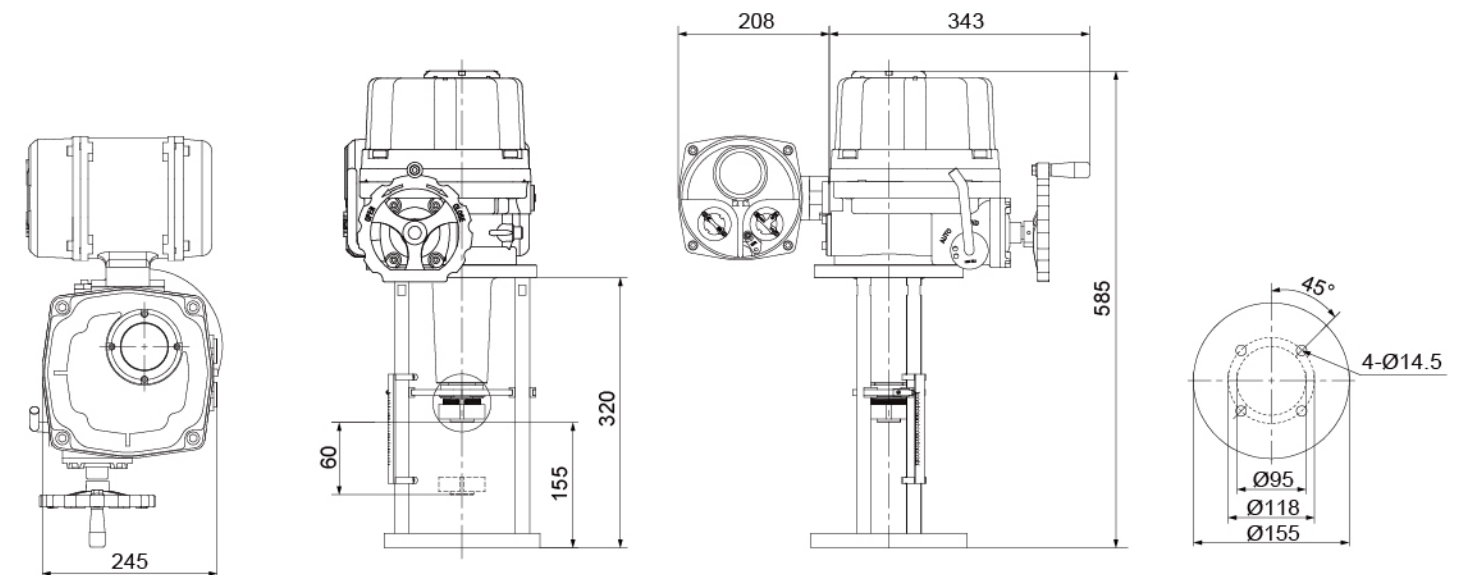
NO.	Specification	Selectable
1	Explosion-proof actuator (exd II ct5)	AL/Y Series
2	Waterproof housing (ip68, 10m, 250hr)	AL/Y Series
3	Potentiometer (1k-10k)	AL/Y Series
4	Proportional control unit (input, output 4-20ma dc)	AL/Y Series
5	Field control unit (process control on/off/selector switch)	AL/Y Series
6	Dc motor (24vdc)	AL/Y Series
7	Reverse electromagnetic control and transfer of integrated motor starter	AL/Y Series
8	Additional torque switch (spdt x 2 250v ac 10a)	AL/Y Series (except 2000N 3000N 5000N 8000N)
9	Current position sensor (output 4-20ma dc)	AL/Y Series
10	High temperature actuator (-10°C~+100°C)	AL/Y Series
11	Low temperature actuator (-60°C~+30°C)	AL/Y Series
12	Low speed actuator	AL/Y Series
13	Bus control	AL/Y Series

尺寸/Dimension

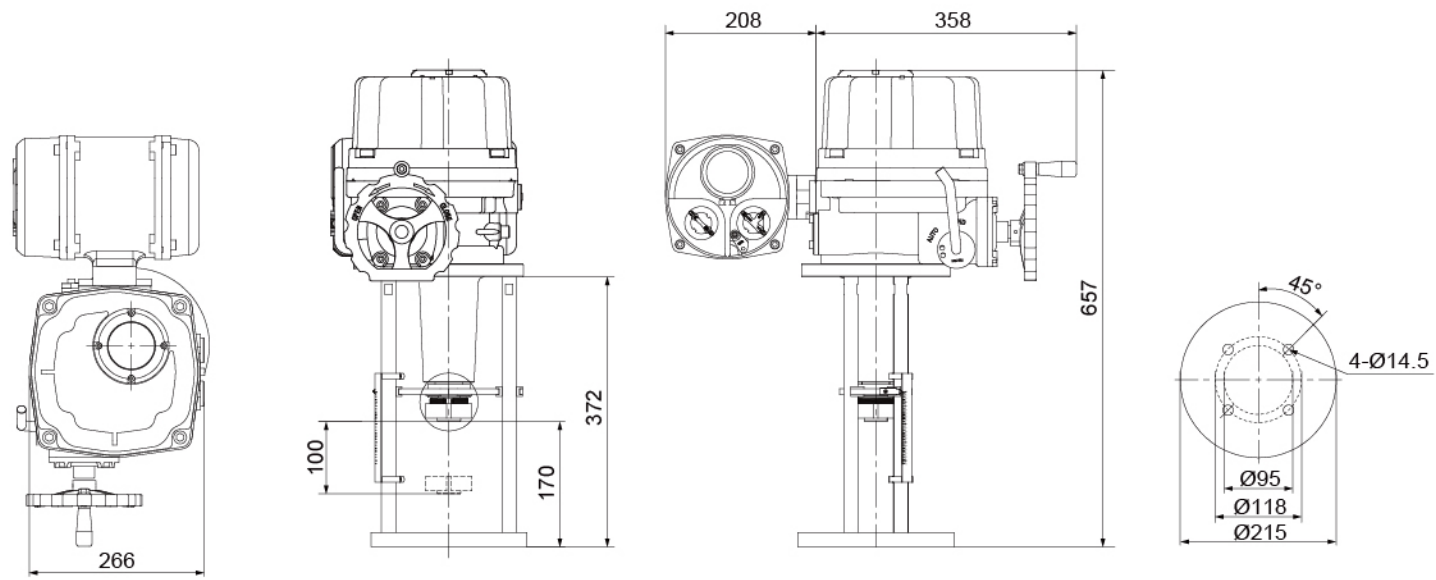
A/L/Y 2000N 3000N 5000N 8000N Appearance and mounting dimensions



A/L/Y 10000N 16000N Appearance and mounting dimensions

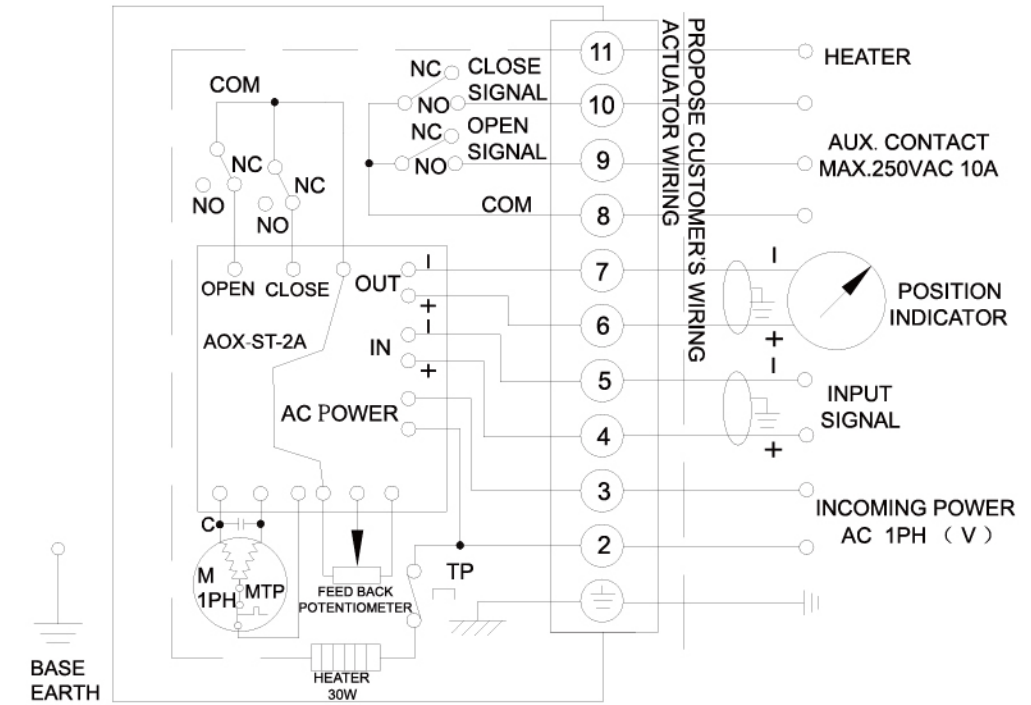


A/L/Y 2000N 25000N 30000N Appearance and mounting dimensions

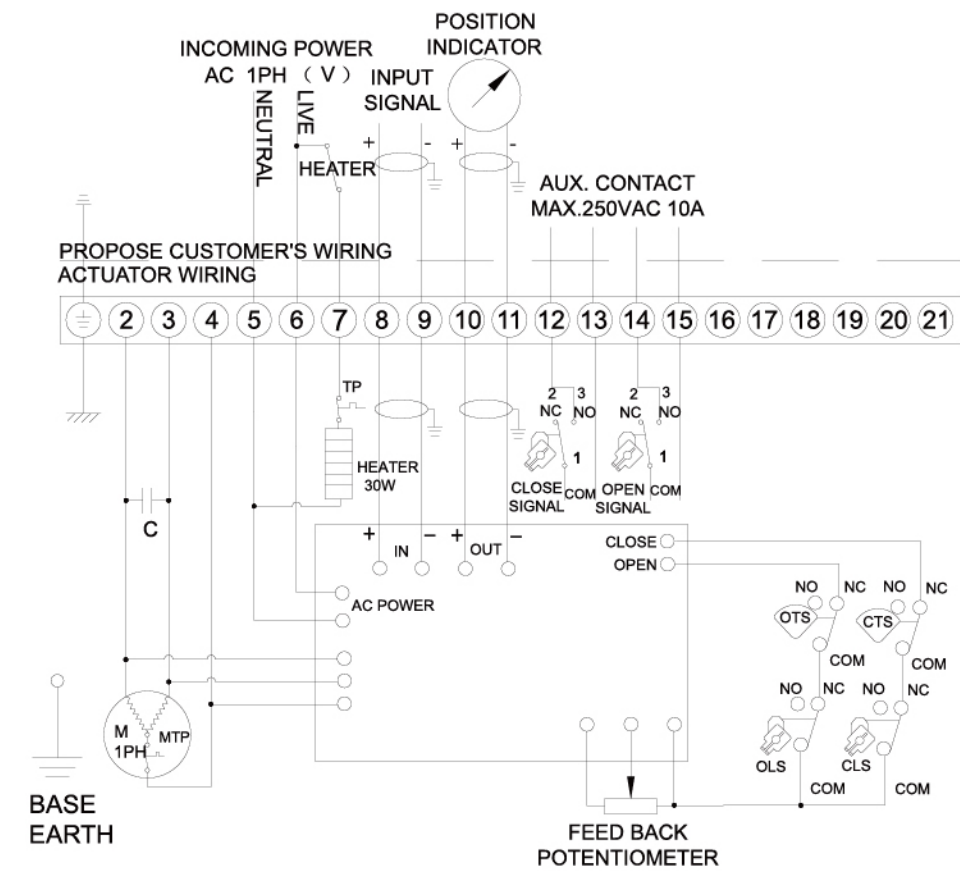


Product wiring diagram

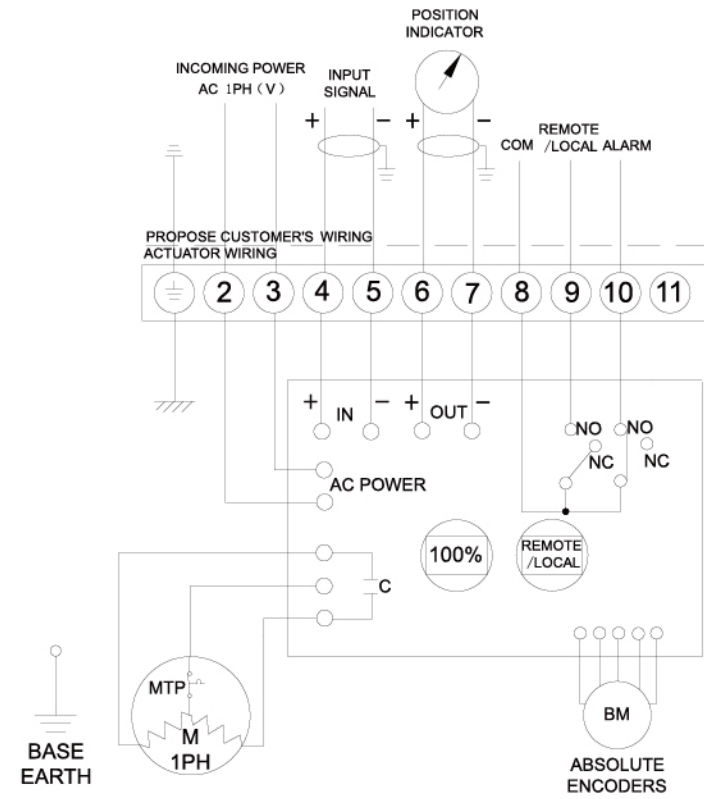
A/L/Y 2000N 3000N 5000N 8000N 110/220VAC/50/60HZ,1Ph(Standard Control type)



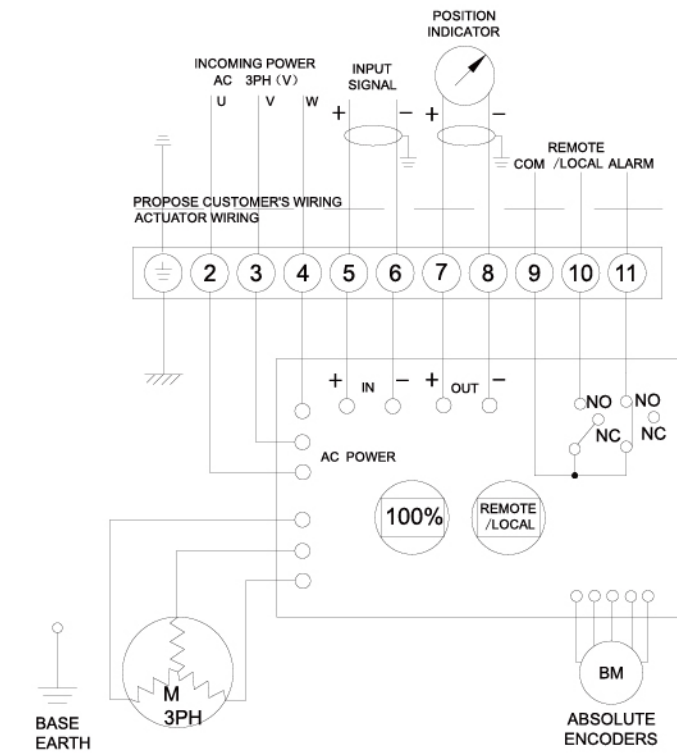
A/L/Y 10000N 16000N 20000N 25000N 30000N 110/220VAC/50/60HZ,1Ph(Standard Control type)



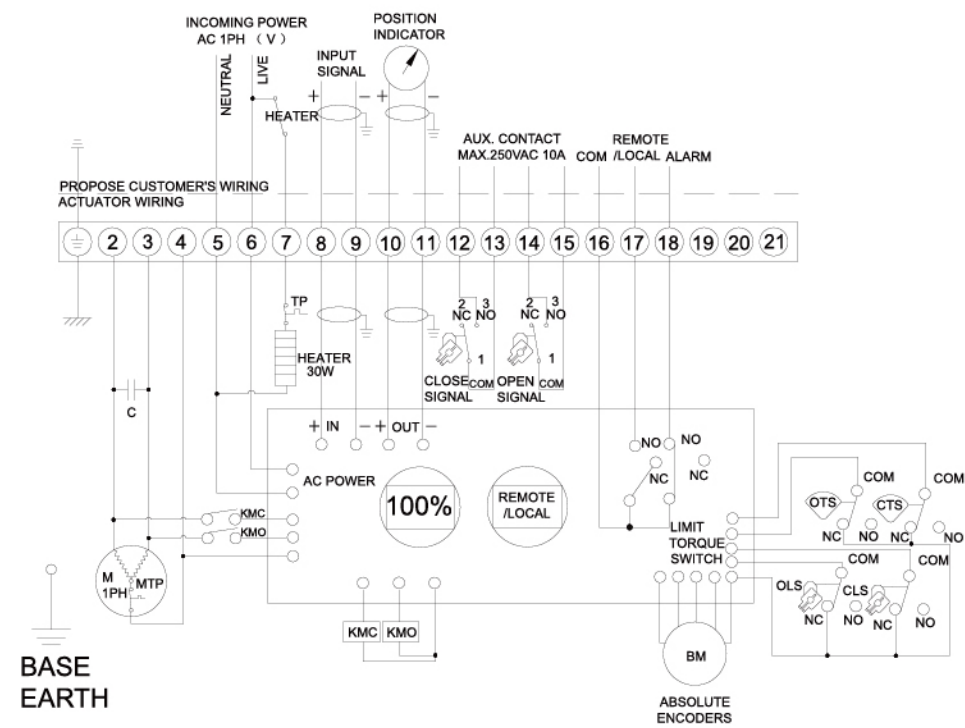
A/L/Y 2000N 3000N 5000N 8000N 110/220VAC/50/60HZ,1Ph(Intelligent Control type)



A/L/Y 2000N 3000N 5000N 8000N 380/440VAC/50/60HZ,3Ph(Intelligent Control type)



A/L/Y 10000N 16000N 20000N 25000N 30000N 110/220VAC/50/60HZ,1Ph(Intelligent Control type)



A/L/Y 10000N 16000N 20000N 25000N 30000N 380/440VAC/50/60HZ,3Ph(Intelligent Control type)

